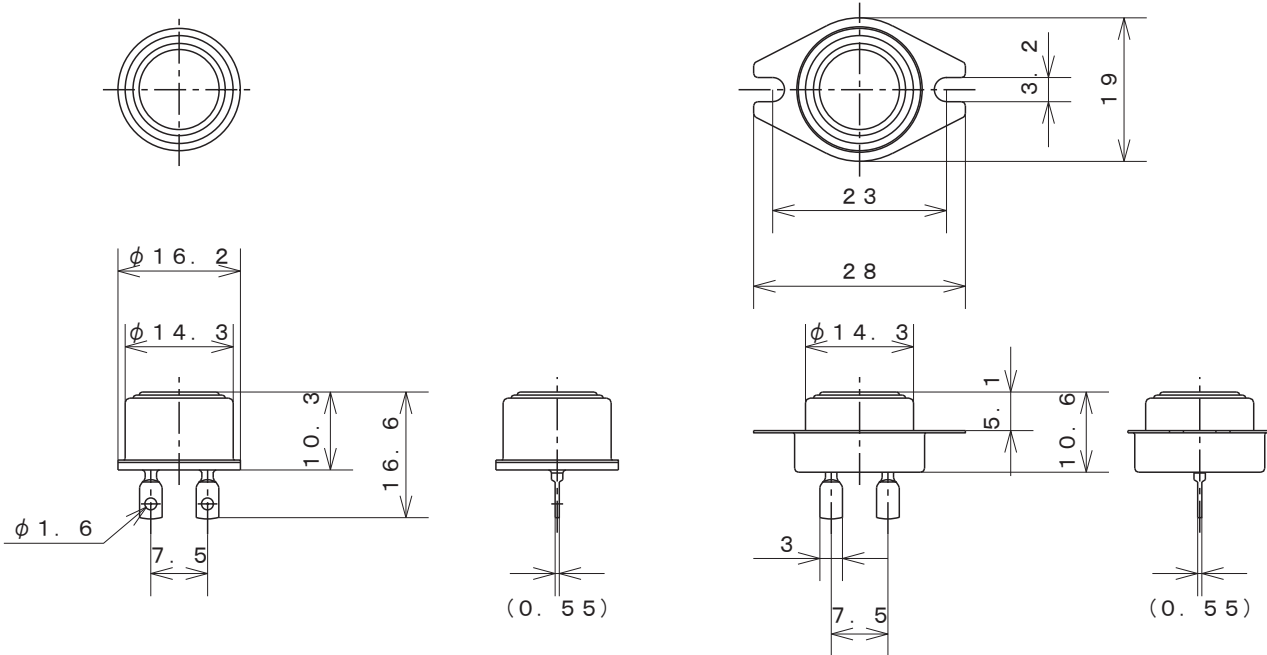




# Harmeticc Type Thermostat

# Type 63

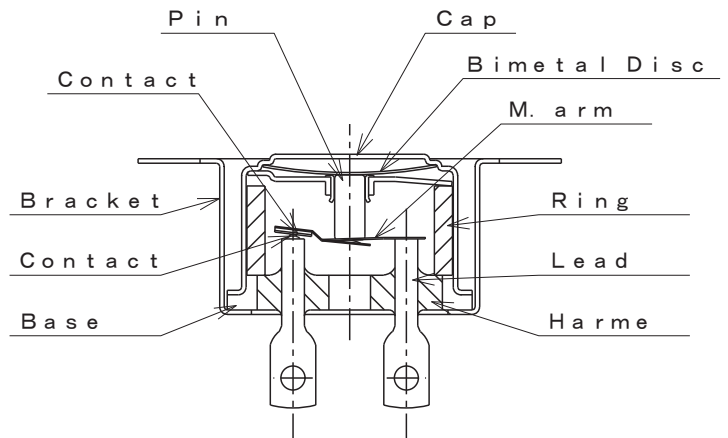
## Dimensions



## Materials of parts

Part	Material
Cap	Stainless steel
Base	Steel
M.arm	Nickel alloy (63HP) Copper alloy (63RP)
Leads	Steel / Copper
Bracket	Stainless steel

## Structure



## Specification

Item	Specification
1. Basic features	SPST Automatic reset
2. Operation	A : Contacts open on temperature rise B : Contacts close on temperature rise
3. Electrical rating	DC12V/500mA DC42V/200mA AC250V/200mA
4. Calibration method	Hot & cold air circulation system
5. Temperature rating	Operating temperature Max. 200°C (63HP) · 150°C (63RP)
6. Insulation resistance	Not less than 1,000MΩ/DC500V
7. Dielectric strength	Not less than AC1,500V/1min. or AC1,800V/1sec.
8. Resistance between Leads	Not more than 30mΩ (63HP) · 10mΩ (63RP)

## Standard

CMJ (JET) J-151